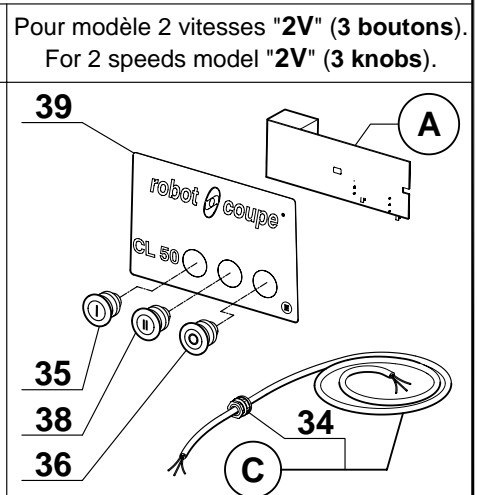
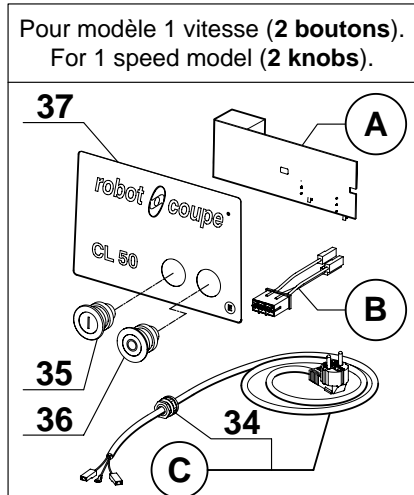
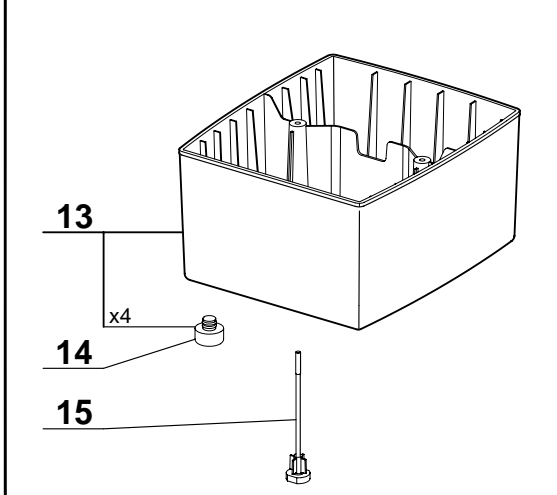


Uniquement pour moteur monophasé.
Only for single phase motor.



- A** CL50C 3 PHASE CIRCUIT BOARD
- B** MOTOR REED SWITCH
- C** CABLE 2P+T CL50D DK
- D** MOTOR PULLEY ASSY
- E** FAN
- F** BEARING
- M** MOTOR
- X** CAPACITOR
- Y** RELAY MTRPH46-39

INDEX	REF.	DESIGNATION
1	39700	COMPLETE LID
2	39701	VEG PUSHER ASSY
3	117452	HANDLE PUSHER
4	39702	PUSHER GUIDE + SHAFT ASSY
5	39703	PUSHER GUIDE ASSY
6	100638	CL50 PUSHER GUIDE RING
7	39704	SHAFT ASSY
8	118324	CL50D ROUND PUSHER
9	39705	SHOULDERED RING ASSY
10	29501	CLINCH CLIP D ASS
11	102690	GREY SLING PLATE CL50D
12	39706	BOWL ASSY
13	39717	PLASTIC MOTOR ENCLOSURE
14	117579	RUBBER FOOT CL50C
15	118387	COVER FIXING SCREW
16	507341	BELT HTD
17	39707	TRANSMISSION SUPPORT ASSY
18	105529	DRIVEN PULLEY
19	510218	PLASTIC SPACER
20	105531	TRANSMISSION SUPPORT
21	39708	TRANSMISSION SHAFT ASSY
22	203068	C-RING STW25
23	110308	MOTOR SHAFT PIN
24	203015	BOLT 6X6 K9 L20
25	510217	BEARING 6004 2RS
26	203206	C-RING INT 42
27	501678	MOTOR SEAL 25x42x7
28	101547	DEFLECTOR
29	39709	BEARINGS ASSY
30	29533	PCB SUPPORT ASSEMBLY
31	117703	PCB LOCKING KEY
32	29451	CUTTER SAFETY SWITCH
33	502768	CLAVETTE 4X4X16
34	507343	STRAIN RELIEF
35	502170	FLAT GREEN KNOB I
36	502169	FLAT RED KNOB

INDEX	REF.	DESIGNATION	
37	403993	2 SWITCHES FRONT PLATE	
38	503268	(Q) Green Knob 2 Speed, CL60D	
39	403989	3 SWITCHES FRONT PLATE	
40	100703	CL50 HINGE PIN	



PLATON SERVICE

8 (800) 500-34-47

www.platonservice.com

N°	M	Voltage	A	B	C	D	E	F	X	Y
24439	3114	220/240/50/1	102481	---	503683	29530	118512	600457	600018	500289
24440	3114	220/240/50/1	102481	---	507026	29530	118512	600457	600018	500289
24441	3114	220/240/50/1	102481	---	504671	29530	118512	600457	600018	500289
24442	3114	220/240/50/1	102481	---	507029	29530	118512	600457	600018	500289
24443	3114	220/240/50/1	102481	---	507028	29530	118512	600457	600018	500289
24445	3172	230/60/1	102481	---	507026	29530	118512	600457	600018	504674
24444	3115	120/60/1	102481	---	507027	29530	118512	600457	603669	500296
24446	303080	415/50/3	102479	29600	515570	29532	106025	501270	---	---
24447	303077	220/60/3	102479	29600	515570	29532	106025	501270	---	---
24448	303078	380/60/3	102479	29600	515570	29532	106025	501270	---	---
24449	303232	415/50/3	106250	29600	515570	29532	106025	501270	---	---
1970	3114	220/240/50/1	102481	---	507026	29530	118512	600457	600018	500289

N°	M	Voltage	A	B	C	D	E	F	X	Y
1971	3114	220/240/50/1	102481	---	507026	29530	118512	600457	600018	500289
1972	3114	220/240/50/1	102481	---	507026	29530	118512	600457	600018	500289
1973	3114	220/240/50/1	102481	---	507026	29530	118512	600457	600018	500289
1974	3114	220/240/50/1	102481	---	507026	29530	118512	600457	600018	500289
1975	3114	220/240/50/1	102481	---	507029	29530	118512	600457	600018	500289
1976	303080	415/50/3	102479	29600	515570	29532	106025	501270	---	---
1977	303080	415/50/3	102479	29600	515570	29532	106025	501270	---	---
1978	303080	415/50/3	102479	29600	515570	29532	106025	501270	---	---
1979	303080	415/50/3	102479	29600	515570	29532	106025	501270	---	---
1980	303080	415/50/3	102479	29600	515570	29532	106025	501270	---	---
1981	501270	415/50/3	106250	---	29600	515570	29532	106025	---	---

CL50E - CL50E Ultra - CL50 Gourmet A

120V/60Hz - 220V/60Hz - 230V/50Hz 1~

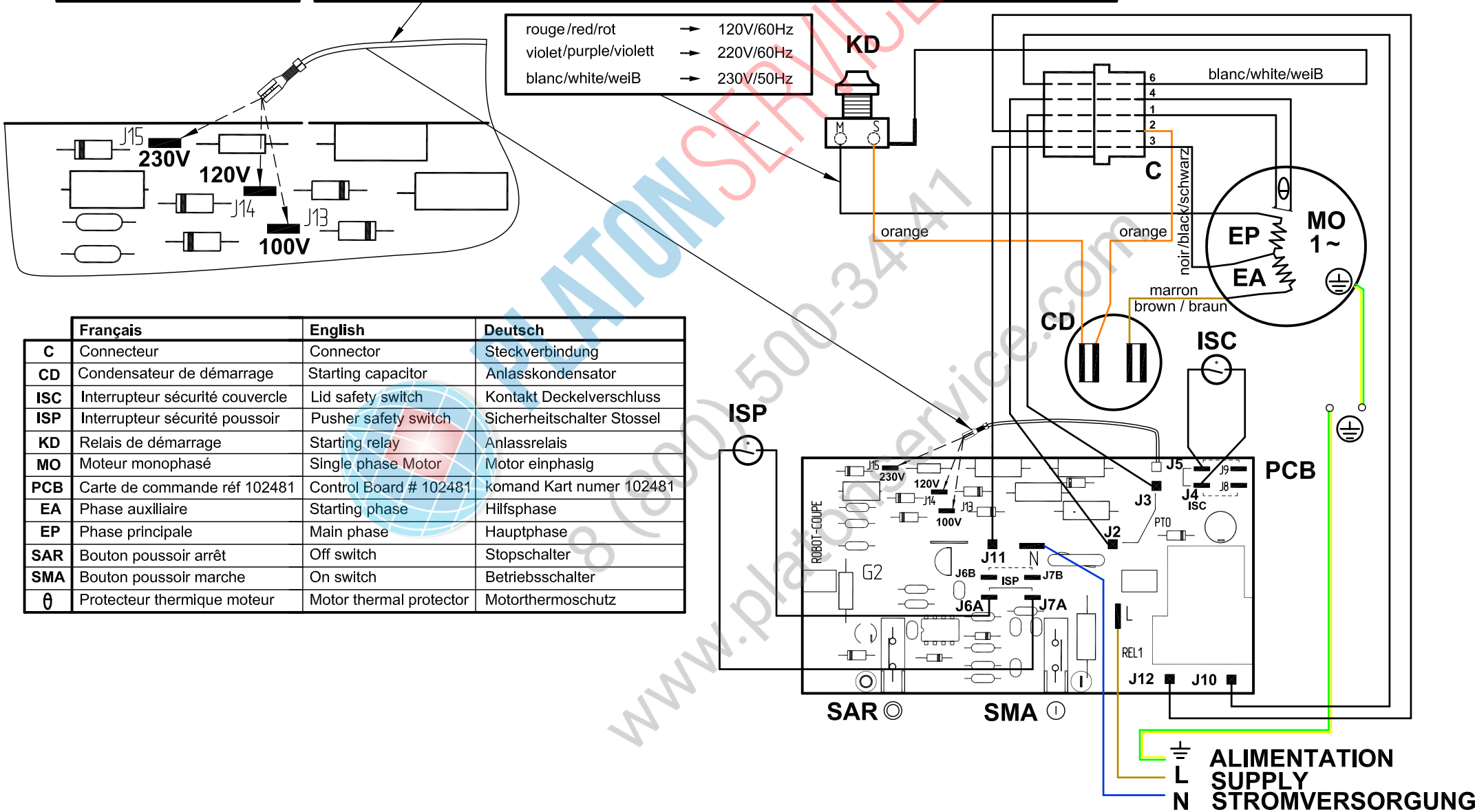
SCHEMA ELECTRIQUE

ELECTRIC DIAGRAM

ELEKTRISCHES SCHALTBILD

Important
Précautions
Wichtiger Hinweis

Vérifier que le fil d'adaptation à la tension de votre réseau est correctement positionné .
Check that the wire which allows the adaptation to the supply voltage is on the right terminal .
Unbedingt prüfen, ob der Draht zur Anpassung an die Spannung Ihres Stromnetzes korrekt positioniert ist .



	Français	English	Deutsch
C	Connecteur	Connector	Steckverbindung
CD	Condensateur de démarrage	Starting capacitor	Anlasskondensator
ISC	Interrupteur sécurité couvercle	Lid safety switch	Kontakt Deckelverschluss
ISP	Interrupteur sécurité poussoir	Pusher safety switch	Sicherheitschalter Stosel
KD	Relais de démarrage	Starting relay	Anlassrelais
MO	Moteur monophasé	Single phase Motor	Motor einphasig
PCB	Carte de commande réf 102481	Control Board # 102481	komand Kart numer 102481
EA	Phase auxiliaire	Starting phase	Hilfsphase
EP	Phase principale	Main phase	Hauptphase
SAR	Bouton poussoir arrêt	Off switch	Stopschalter
SMA	Bouton poussoir marche	On switch	Betriebsschalter
θ	Protecteur thermique moteur	Motor thermal protector	Motorthermoschutz